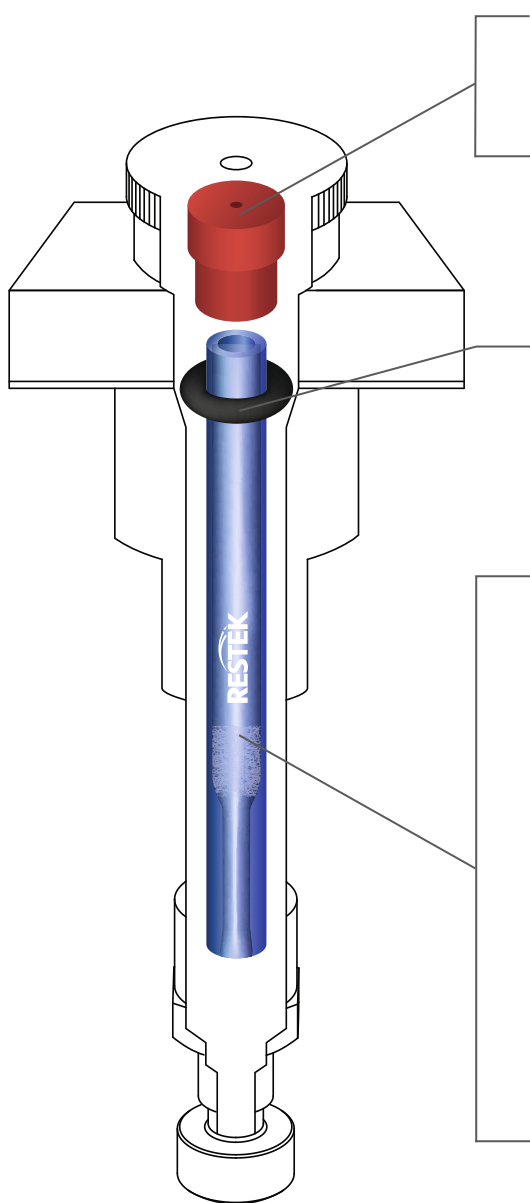


Inlet Supplies for Shimadzu GCs with Split/Splitless Inlet



Shimadzu Plug Thermolite Plus Septa

Diameter	qty.	Similar to Part #	cat.#
Shimadzu Plug	50-pk.	Agilent 8010-0215	23872
Shimadzu Plug	100-pk.	Agilent 8010-0216	23873

Shimadzu Plug Premium Non-Stick BTO Septa

Diameter	qty.	Similar to Part #	cat.#
Shimadzu Plug	50-pk.		27098
Shimadzu Plug	100-pk.	Grace 15134, 2106411	27099

Viton O-Rings

for Shimadzu 17A, 2010, 2014, and 2030 GCs

Instrument	Max Temp	qty.	Similar to Part #	cat.#
for Shimadzu 17A, 2010, 2014, and 2030 GCs	250 °C	10-pk.	Shimadzu 036-11203-84	24899

Topaz 3.5 mm ID Single Taper Inlet Liner w/ Wool

for Shimadzu 17A, 2010, 2014, and 2030 GCs equipped with split/splitless inlets

ID x OD x Length	Packing	qty	cat.#
Single Taper, Premium Deactivation, Borosilicate Glass			
3.5 mm x 5.0 mm x 95 mm	Quartz Wool	5-pk.	23336

Topaz 3.5 mm ID Single Taper Inlet Liner

for Shimadzu 17A, 2010, 2014, and 2030 GCs equipped with split/splitless inlets

ID x OD x Length	qty	Similar to Part #	cat.#
Single Taper, Premium Deactivation, Borosilicate Glass			
3.5 mm x 5.0 mm x 95 mm	5-pk.	Shimadzu 221-48335-01	23321

Topaz 3.5 mm ID Precision Inlet Liner w/ Wool

for Shimadzu 17A, 2010, 2014, and 2030 GCs equipped with split/splitless inlets

ID x OD x Length	Packing	qty	cat.#
Precision, Premium Deactivation, Borosilicate Glass			
3.5 mm x 5.0 mm x 95 mm	Quartz Wool	5-pk.	23320

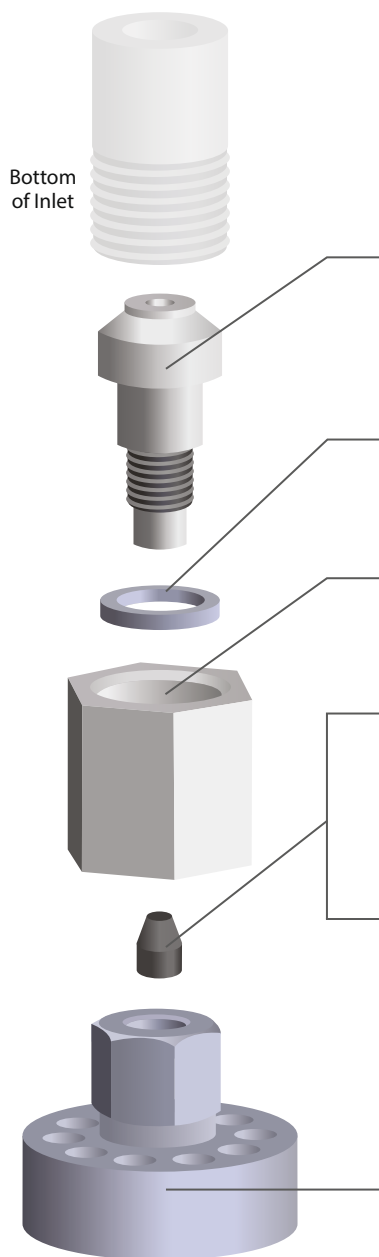
Topaz 3.5 mm ID Cyclo Single Taper Inlet Liner

for Shimadzu 17A, 2010, 2014, and 2030 GCs equipped with split/splitless inlets

ID x OD x Length	qty	cat.#
Cyclo Single Taper, Premium Deactivation, Borosilicate Glass		
3.5 mm x 5.0 mm x 95 mm	5-pk.	23456

View our complete range of Shimadzu inlet parts at www.bgb-shop.com/restek

Our tool-free inlet parts are designed to make column installation and inlet maintenance easier and quicker, reducing the downtime of your Shimadzu GC.



Tool-free Column Installation Kit

Description	Includes	Instrument	qty.	cat.#
Tool-free Column Installation Kit	inlet adaptor, retaining nut, back washer, and hot swap column nut	for Shimadzu 17A, 2010, 2014, and 2030 GCs	kit	27220
Tool-free Column Installation Kit (Siltek Treated)	Siltek-treated inlet adaptor, retaining nut, back washer, and hot swap column nut	for Shimadzu 17A, 2010, 2014, and 2030 GCs	kit	27221

Inlet Adaptor

Description	Instrument	qty.	Similar to Part #	cat.#
Inlet Adaptor	for Shimadzu 17A, 2010, 2014, and 2030 GCs	ea.	Shimadzu 221-42998-00	27222
Inlet Adaptor (Siltek Treated)	for Shimadzu 17A, 2010, 2014, and 2030 GCs	ea.	Shimadzu 221-42998-00	27223

Back Washer

Description	Instrument	qty.	Similar to Part #	cat.#
Back Washer	for Shimadzu 17A, 2010, 2014, and 2030 GCs	ea.	Shimadzu 201-30051-84	27226

Retaining Nut

Description	Instrument	qty.	Similar to Part #	cat.#
Retaining Nut	for Shimadzu 17A, 2010, 2014, and 2030 GCs	ea.	Shimadzu 201-30008-00	27225

Graphite Capillary Ferrules for 1/16-Inch Compression-Type Fittings

Ferrule ID	Fits Column ID	Fitting Size	Material	qty.	Similar to Part #	cat.#
0.4 mm	0.10/0.15/0.18/0.25/0.28 mm	1/16"	Graphite	10-pk.	Grace 3112853, RF-100/0.4-G	20200
0.5 mm	0.32 mm	1/16"	Graphite	10-pk.		20201
0.8 mm	0.45/0.53 mm	1/16"	Graphite	10-pk.	Grace 8620138	20202

Vespel/Graphite Capillary Ferrules for 1/16-Inch Compression-Type Fittings

Ferrule ID	Fits Column ID	Fitting Size	Material	qty.	Similar to Part #	cat.#
0.4 mm	0.10/0.15/0.18 /0.25/0.28 mm	1/16"	VG1, 85% Vespel/15% Graphite	10-pk.	Grace 5124711, 100/0.4-VG1	27062
0.5 mm	0.32 mm	1/16"	VG1, 85% Vespel/15% Graphite	10-pk.	Grace 5124713, 100/0.5-VG1	27064
0.8 mm	0.45/0.53 mm	1/16"	VG1, 85% Vespel/15% Graphite	10-pk.	Grace 5124715, 5124717, 100/0.8-VG1, 100/0.9-VG1	27067

Hot Swap Column Nut for 1/16" Fittings

Description	qty.	cat.#
Hot Swap Column Nut for 1/16" Fittings	ea.	27224

Capillary Installation Gauge for 1/16" Fittings

Description	qty.	cat.#
Capillary Installation Gauge for 1/16" Fittings	ea.	27227